



LUNAWOOD

LUNA TRIPLE SHADOW

32x140

INSTALLATION GUIDE



Private House in Madeira
Architect: Carla Vieira architects
Photo: Carla Vieira architects

LUNAWOOD.COM

LUNA TRIPLE SHADOW 32x140

Guideline for Luna Triple Shadow installation

Luna Triple Shadow 3D effect with easy installation in indoor and outdoor use.

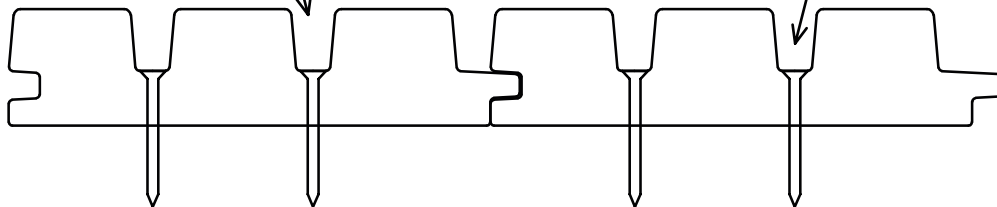
| | |
|--------------------|---------------|
| dimensions (mm) | 32x140 |
| class | LunaThermo-D |
| species | Nordic spruce |
| length (m) | 3,0 - 5,4 |
| m/m ² | 7,57 |
| joist spacing (mm) | 600 |



OUTDOOR AND CEILINGS, mounting with screws:

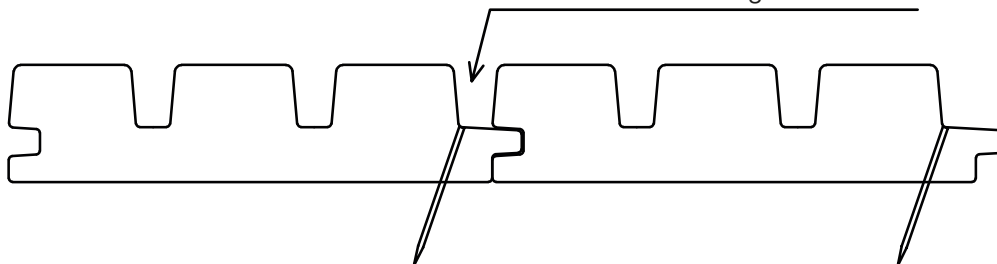
Stainless steel screw. Length 40 mm

Screw head diameter max 7 mm



INDOOR, mounting with nailing:

Stainless steel nail. Length 40 mm

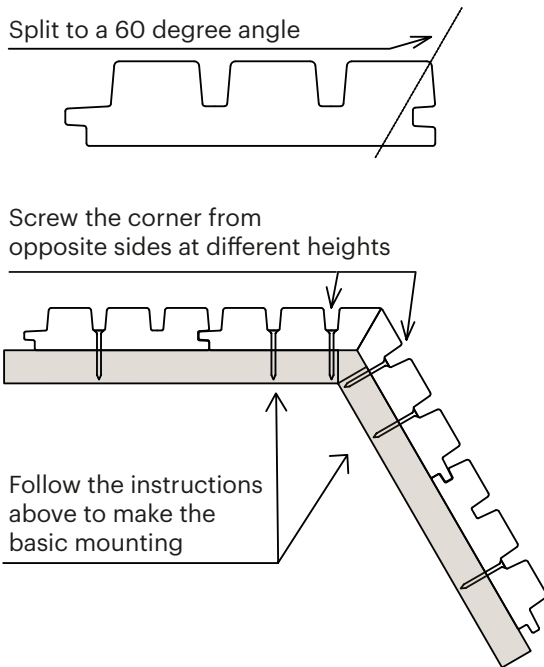


LUNA TRIPLE SHADOW 32x140

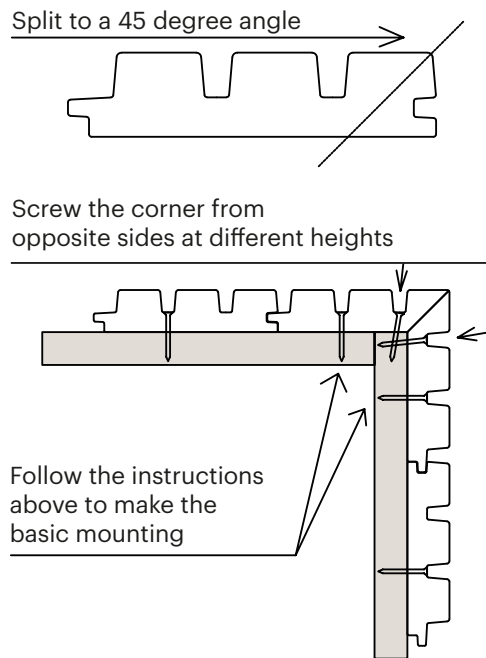
Guideline for Luna Triple Shadow installation

Luna Triple Shadow corner installation

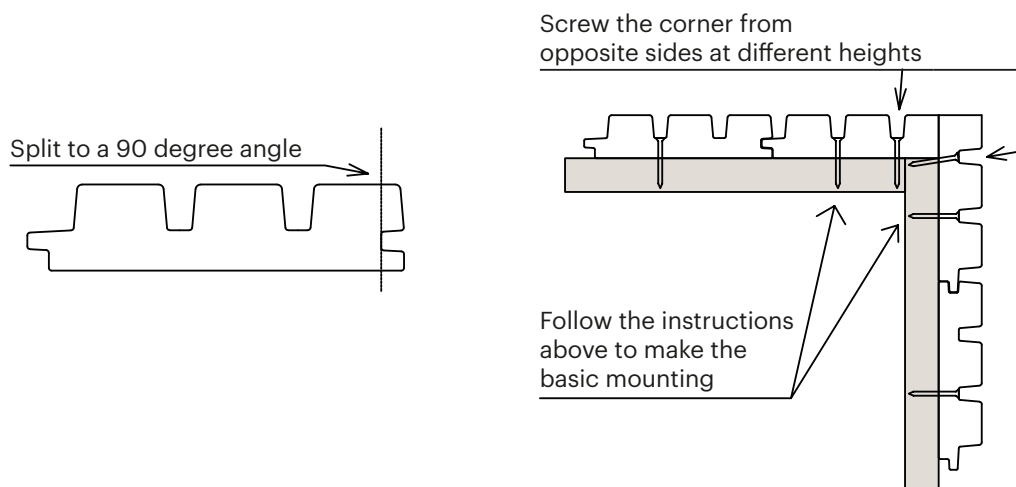
Miter 60 degree corner:



Miter 90 degree corner:



Basic 90 degree corner:

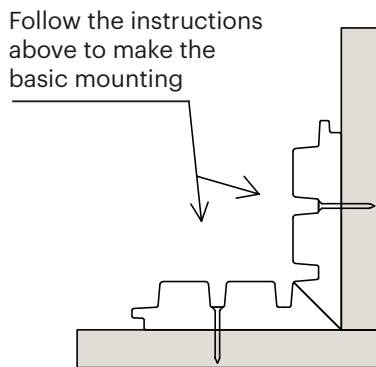
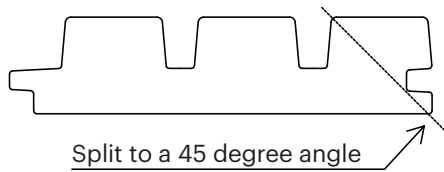


LUNA TRIPLE SHADOW 32X140

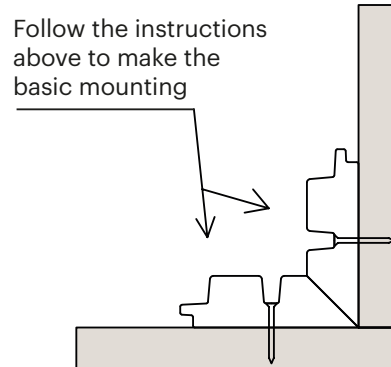
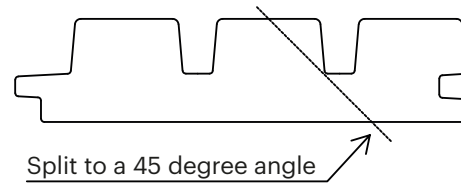
Guideline for Luna Triple Shadow installation

3 ways to install internal corners

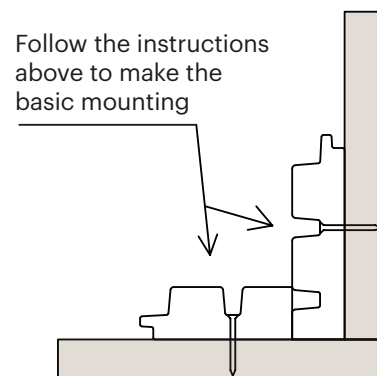
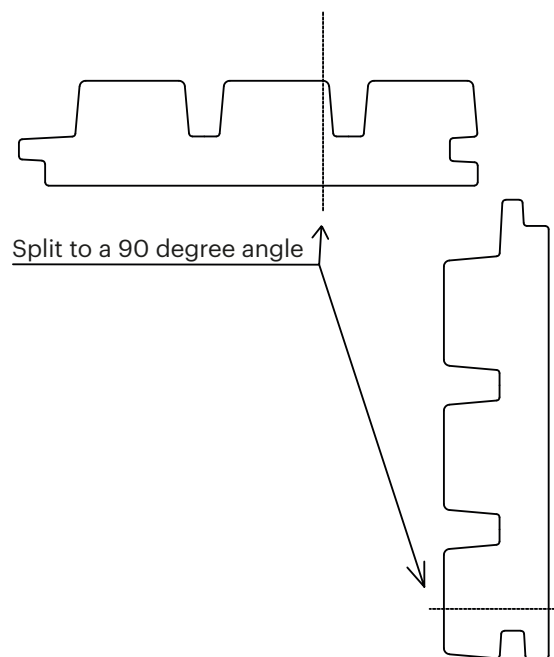
1st way:



2nd way:



3rd way:



Provide adequate support structure in accordance with your local building regulations. Do not install lamps or other heavy objects directly to the product.